

COMPACTION ROLLER



Specifications

Operating Weight	5664 / 6447 lbs
Net Engine Power	33 hp
Static Linear Load	71.9 / 68.2 lbs/in
Centrifugal Force	5167 / 6740 lbs

Features

- Powerful and reliable water cooled engines.
- Superb service access and easy to service components.
- “Rental Tough” high quality heavy duty design.
- Heavy duty vibration system with high centrifugal force, frequency and static liner load reduces the number of passes required.
- Unique side control arm for increased operator leg room and comfort.
- Unique 6-in-1 control lever for simple and easy operation of all functions.
- Lockable instrumental panel, water tank filler flap and hood to reduce theft and vandalism.
- Simple lever selection of twin drum vibration or rear drum vibration.

WORKS FOR YOU.™

SPECIFICATIONS

Performance

	TV1000	TV1200
Operating Weight	5664 lbs (2570 kg)	6447 lbs (2925 kg)
Basic Weight	5257 lbs (2385 kg)	6040 lbs (2740 kg)
Static Linear Load	71.9 lbs/in (12.85 kg/cm)	68.2 lbs/in (12.18 kg/cm)
Frequency (Hz) VPM	3360 (56 Hz)	3360 (56 Hz)
Amplitude	.022 in (0.6 mm)	.022 in (0.6 mm)
Gradeability (% - vibration on)	30%	30%
Gradeability (% - vibration off)	40%	40%
Centrifugal Force (low / high)	3819/5167 lbs (17/23 kN)	4943/6740 lbs (22/30 kN)
Drum Thickness	.39 in (10 mm)	.51 in (13 mm)

Engine

	TV1000	TV1200
Engine	Kubota D1703-M 3-cylinder, diesel engine	
Cooling System	Water	
Power	33 hp (24.5 kW) at 2,500 rpm	
Drive	Dual radial piston drive motors	
Braking System - Service	Hydrostatic drive provides dynamic braking	
Braking System - Parking	Spring applied brakes	

Electrical System

	TV1000	TV1200
Battery	830 CCA	
Alternator	55 Amp	

Transmission

	TV1000	TV1200
Hydrostatic drive. Forward and reverse selected from joystick. Infinitely variable speed control forward and reverse. 0 - 6.2 mph (0 - 10 km/hr)		



Steering

	TV1000	TV1200
Type	Heavy-duty articulated steering	
Frame Articulation	30°	
Frame Oscillation	15°	
Turning Radius - Inside	103 in (2,625 mm)	99 in (2,525 mm)

Fluid Capacities

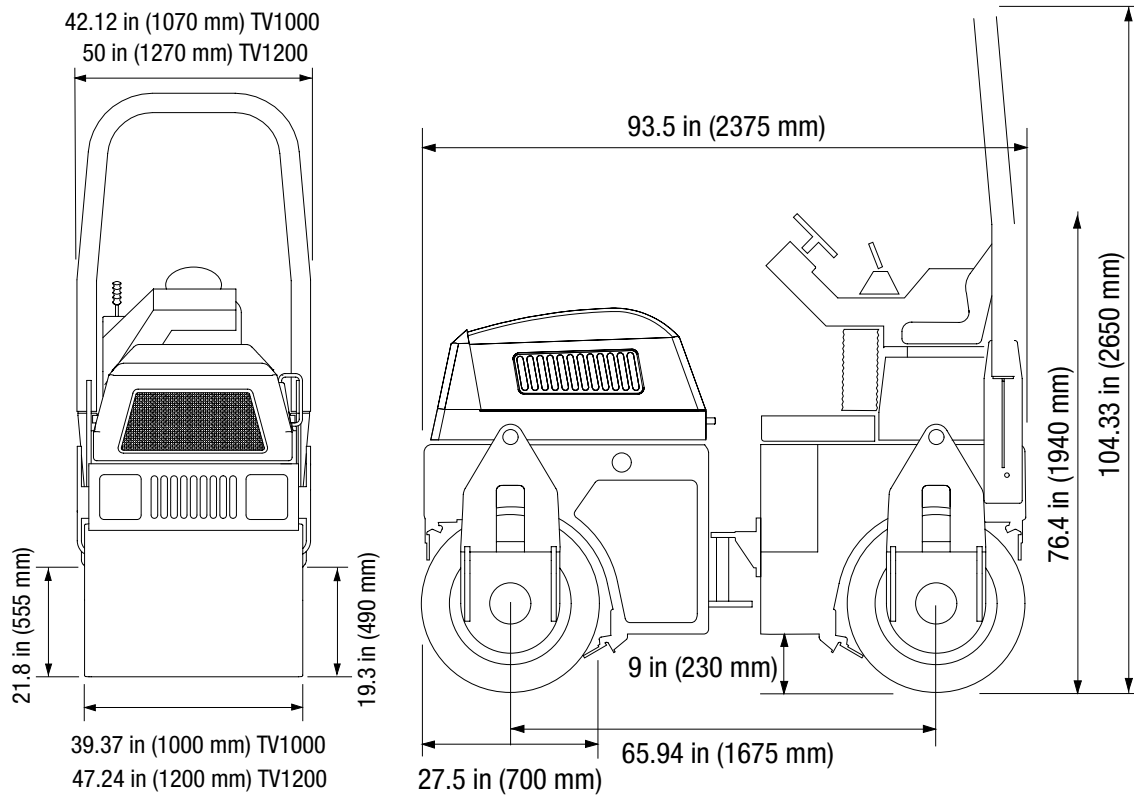
	TV1000	TV1200
Fuel Tank	11.6 gal (44 L)	
Hydraulic System (includes tank)	11.6 gal (44 L)	
Water Tank	47.5 gal (180 L)	

Operator's Area

	TV1000	TV1200
Open operator's seat with functional design, excellent all-round visibility and user-friendly operator controls.		
Operator's suspension seat with hydraulic cushioning and lap belt; weight, height and longitudinally adjustable.		

DIMENSIONS

TV1000 / TV1200



Dimensions

	TV1000	TV1200
Total Width	42.12 in (1,070 mm)	50 in (1,270 mm)
Total Length	93.5 in (2,375 mm)	
Total Height	104.33 in (2,650 mm)	

Standard Equipment

Vandal Protection Package	Back-up alarm
2 scraper bars per drum	Hydraulic test points
Tow valve	12 volt battery disconnect
Pressure and gravity water	ROPS
Electrical diagnostics system (LED lights)	

WORKS FOR YOU.™

terex.com

Effective Date: May 2010. Product specifications and prices are subject to change without notice or obligation. The photographs and/or drawings in this document are for illustrative purposes only. Refer to the appropriate Operator's Manual for instructions on the proper use of this equipment. Failure to follow the appropriate Operator's Manual when using our equipment or to otherwise act irresponsibly may result in serious injury or death. The only warranty applicable to our equipment is the standard written warranty applicable to the particular product and sale and Terex makes no other warranty, express or implied. Products and services listed may be trademarks, service marks, or trade names of Terex Corporation and/or its subsidiaries in the USA and other countries. All rights are reserved. Terex is a registered trademark of Terex Corporation in the USA and many other countries. © 2010 Terex Corporation.

8800 Rostin Road, Southaven, MS 38671 USA
1.888.90.TEREX (83739)



WORKS FOR YOU.™
TV1000/TV1200 0510 PN 109039