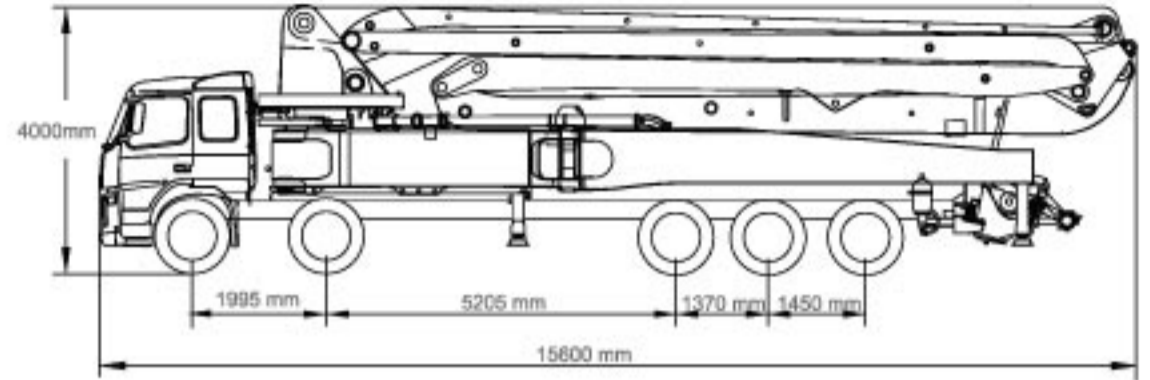


TECHNICAL SPECIFICATIONS

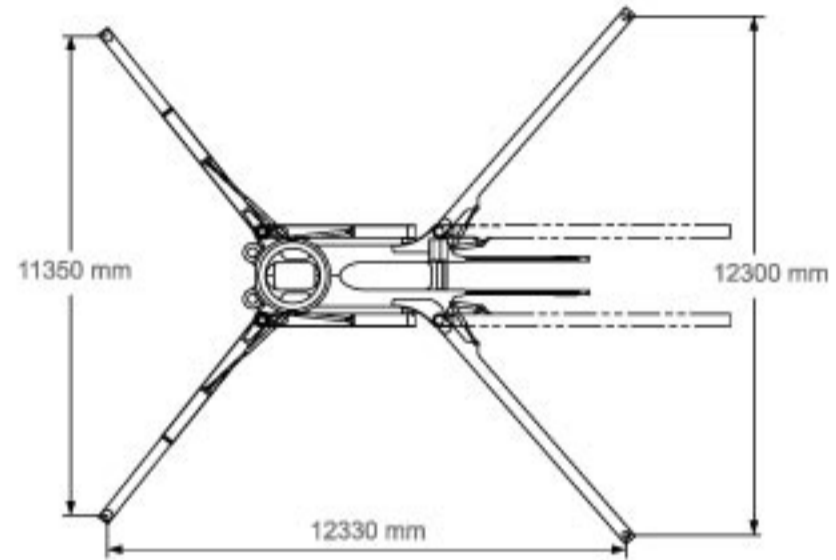
Overall Specification	Model	SYG5502THB 62
Length		15600 mm
Width		2500 mm
Height		4000 mm
Total weight		51580 kg

Note: The overall specifications are based on Chassis VOLVO FM440 10x4.
 Dimensions will vary with different truck makes, models and specifications.
 Weights are approximate and include pump, boom, truck, full hydraulic oil, driver and some fuel.
 Varies with options selected.



Boom & Outrigger Specification

Vertical reach		62.0 m
Horizontal reach		57.6 m
Reach depth		42.0 m
Minimum unfolding reach		16.2 m
Arm1	Length	12140 mm
	Angle	90°
Arm2	Length	10090 mm
	Angle	180°
Arm3	Length	9570 mm
	Angle	180°
Arm4	Length	12280 mm
	Angle	230°
Arm5	Length	13110 mm
	Angle	200°
Slewing circle		±360°
Outrigger spread L-R (front)		11350 mm
Outrigger spread L-R (rear)		12300 mm
Outrigger spread width (LH)		12330 mm
Outrigger spread width (RH)		12330 mm



Pumping System Specification

Output	Low pressure	170 m³/h
	High pressure	120 m³/h
Pressure	Low pressure	8.3 MPa
	High pressure	12 MPa
Max. strokes	Low pressure	24.5 times/min
	High pressure	17 times/min
Delivery cylinder diameter		260 mm
Delivery cylinder stroke		2200 mm
Hydraulic system		Open loop
Hydraulic system oil pressure		max 320 bar
Oil tank capacity		650 L
Water tank capacity		600 L
Pipeline size		125 mm
End hose length		3 m
End hose diameter		125 mm

