

Perkins 1104D-E44T	max. power	70 kW / 95 PS @ 2200 rpm	
Torque		399 Nm @ 1400 rpm	
Displacement		4400 ccm	
Emission standard		EC Standard 97/68/EC Stage 3A US EPA 40 CFR 89 Tier 3	
Starter		4.2 kW	
Alternator		85 A	
Batterie		2 x 70 Ah – 760 A	
Sound pressure		L _{pA} 75 dB(A)	
Sound level		L _{WA} 99 dB(A)	
Cooling system		5-circuit cooling system	
Max. ambient temperature		46 °C (115°F)	
Tank capacity diesel (tank/chassis tank)		220 l (120 l/100 l)	58.1 gal (31.7 gal/26.4 gal)
Hydraulic system capacity (tank)		200 l (140 l)	52.8 gal (37 gal)
Slewing rate		9 rpm	
Slew torque		31'000 Nm	
Rotation crown wheel		Modul 6	
Working transverse to slope		70 %	
Working longitudinally to slope		100 %	
Turning circle		20 m	
Travelling speed (powerful/fast)		0-4.5 km/h; 0-8 km/h (0-3 mph; 0-4.1 mph)	
Climbing ability on roads up to		50 %	
Tensile strength		43 kN (ISO 6015)	
Breakaway torque		54 kN (ISO 6015)	
Lifting power		3 m/38 kN (3.8 t)	9' 10"/38 kN
		5 m/16 kN (1.6 t)	16' 5"/16 kN
Weight		From 7.100 kg (15.650 lb)	
Cab		ROPS / FOPS DIN ISO 3471 and DIN 24090	

Options

Front tyres	12.5/60-15 (d=720mm/2' 5"; b=275mm/11") - STANDARD
	385/45-14.25 (d=850mm/2' 9"; b=385mm/1' 3")
Rear tyres	46x18.0-20 (d=1120mm/3' 8"; b=440mm/1' 5") - STANDARD
	49x19.0-20 (d=1250mm/4' 1"; b=490mm/1' 7")

18.07.2011

Technical changes are possible without further notice!

DOK-ID 195452

www.kaiser.li

Rugged design

Undercarriage

Solid undercarriage, large dimension bearings, surface treated bolts and bronze bushings guarantee maximum life span. Optimised weight distribution with low gravity center for maximum stability in difficult terrain. Well protected hose guides, generally integrated in steel.

Telefuss

Wide adjustment range to suit varying terrain. Approx. 1m hydraulically extendable telescopic legs. Guide supported with sliding plates and adjustable clearance.

Boom

Heavy Duty boom with long reach and excellent load lifting capacity, which can be fully utilized due to high stability. Centering fix for quick and easy bucket change. Solid connecting rod and shear. All bolts on boom screwed. Advertising board on left and right on boom. Boom piping arranged for optimal protection of hydraulic hoses. Five hydraulic connections for accessories such as hydraulic tilt bucket, hammer and grapple bucket.

Hydraulic cylinders

All boom cylinders are provided with end position damping and spherical joint bearing. Cylinders in undercarriage are provided with spherical joint bearings and hose fracture safety valves to ensure that the excavator maintains its position in the event of a failure.

Top performance

Slewing drive

Slewing system 360° continuous rotation with 31 kNm. Low-leakage axial piston fixed speed motor with slewing pressure boost for operation in extreme terrain. Separate hydraulic pump for independent slewing. Continuous rotation from 0-9 rpm. Two-speed planetary gearing with automatic disc brake in oil bath. Rugged ball rotation crown wheel modulus 6 with hardened tooth flanks and integrated rotation crown wheel lubrication.

The KAISER models can be licensed for road use if required.

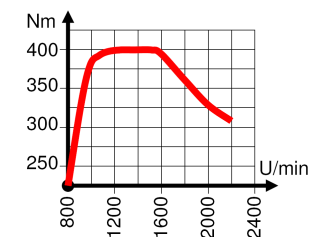
Drive

Driving and working movements can be performed simultaneously. Precise handling through power control. Axial piston variable speed motor with two operating modes for fast (0-8 km/h / 0-4.1 mph) and powerful (0-4.5 km/h / 0-3 mph) driving with maximum handling precision. Two-speed planetary gearing with disc brake in oil bath. The parking brake is manually operated via joystick for easy manoeuvrability

Engine

Perkins (CAT) 4-cyl. diesel engine, type 1104D-E44T. 70 kW (95.2 PS); 399 Nm at 1400 rpm. Electronically controlled; ACERT Common Rail injection system, exhaust standard 97/68/EC Stage IIIA or US EPA Stage 3. Control of injection system by original Perkins (CAT) ECU control system. The most powerful and high-torque diesel engine in its class, thanks to 4-valve technology.

Fig: Torque characteristic Perkins 1104D-E44T



Electrical system

12 V, battery 2x70Ah, alternator 85A, starter 4.2kW. Three working lights for excellent illumination. Horn, parallel wipers with washer/wiper system and parking position "Emergency stop switch", radio with CD. Electronic fan and engine management.

Cooling system

5-circuit cooling system for hydraulic oil, cooling water, charge air, diesel fuel and air conditioning. The electronic fan management ensures optimal temperatures at all times, reduces fuel consumption and maintains noise at a low level. Worldwide approval up to ambient temperatures of 46°C (115° F) at maximum power. Coarse and fine filters protect the easy to clean radiator.

Precise hydraulics

Three-circuit hydraulics with independent hydraulic pumps enables sensitive and rapid movements. Cross-control for ideal power yield. Bosch Rexroth LUDV Load Sensing Hydraulics. Variable displacement pump with power control for working and driving with an operating pressure of 250 bar (3625 psi); 164 litres/min. (43.2 gal/min) for powerful operation and performance. Regenerative function for rapid and powerful operation. Variable displacement pump with power control for slewing operation. Fixed displacement pump for bypass filtration, cooling and undercarriage functions with 45 litres/min (12 gal/min). Driving, steering and slewing functions can take place simultaneously without influencing each other.

Maximum comfort

Control

Futura® joystick in an optimal ergonomic design for left and right-hand use; guaranteed functionality and reliability. All functions can be selected directly via the joystick, no release of the control necessary (Fast/powerful operation, slewing pressure boost and rope winch function).

Three ergonomically arranged pedals for actuating telescopic, driving and additional connection. Plenty of leg room and foot support options including foot rail.

Instrument panel

Instrument panel with multifunction display for all important operating states:

Engine speed, operating hour meter, hour meter, fuel gauge, hydraulic oil temperature, water temperature, alarm, battery charge indicator, engine oil pressure, emergency stop and overload display.

Toggle switch for speed selection, slewing fast/powerful, washer/wiper system, working light.

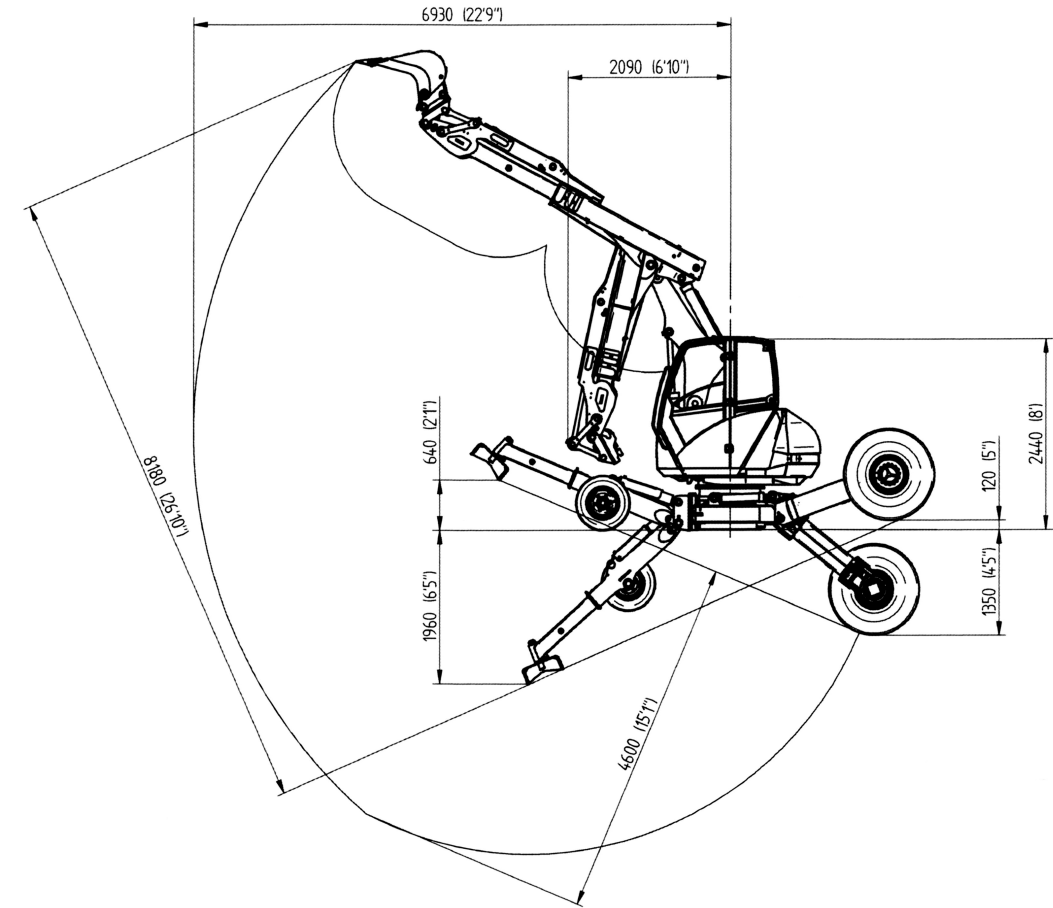
Cab

Comfortable, safety cab with wide door, clear all-round view and plenty of legroom. ROPS and FOPS test according to DIN ISO 3471 and DIN 24090. Continuous inward opening windshield, (without cross member) ensures clear all-round view. Glass roof for maximum visibility.

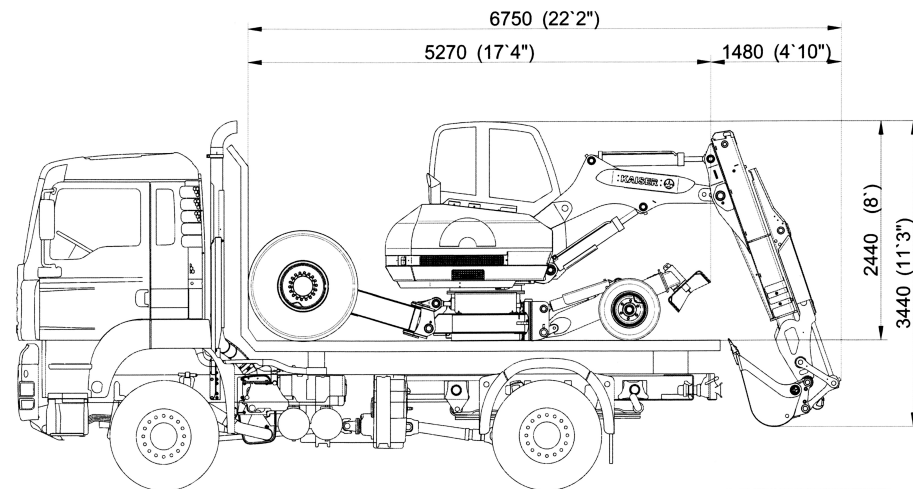
Low vibration and noise level due to hydraulic suspension and hermetic insulation (Engineered in cooperation with research Universities and Institutions). Air-suspension seat with high backrest and numerous adjustment options.

Roof sunblind.
Hydraulic one-hand cab tilting device.

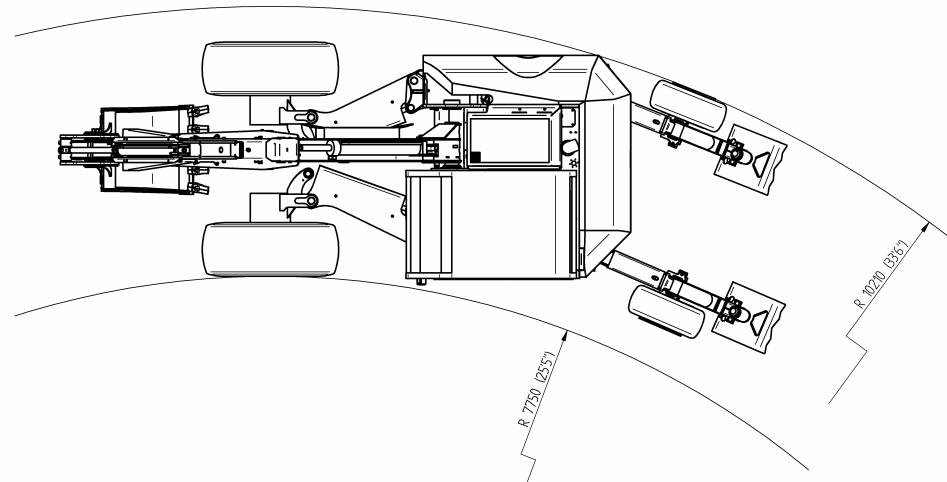
OPERATING RANGE



TRANSPORT



MOBILITY



ADJUSTMENT RANG

