

D11T/D11T CD

Track-Type Tractor



Engine – Tier 2 Equivalent

Engine Model	Cat® C32 ACERT™	
Net Power – SAE J1349/ISO 9249	634 kW	850 hp

Engine – U.S. EPA Tier 4 Final

Engine Model	Cat C32 ACERT	
Net Power – SAE J1349/ISO 9249	634 kW	850 hp

Weights

Operating Weight	104 257 kg	229,848 lb
Shipping Weight	37 485 kg	82,640 lb
Operating Weight – CD	112 698 kg	248,456 lb
Shipping Weight – CD	37 802 kg	83,340 lb

D11T/D11T CD Features

C32 with ACERT™ Technology

Designed to deliver the performance and maximum fuel efficiency you demand, the D11T/D11T CD features a Cat® C32 ACERT engine. Engines designed to meet different emission standards are available to meet your needs, no matter where in the world you are working.

Drive Train

The D11T/D11T CD combines power and efficiency with advanced technology for outstanding production at a lower cost-per-yard.

Operator Station

The cab is designed and equipped for operator productivity, safety, and comfort. Machine controls and displays are at the operator's fingertips to maximize productivity.

Safety

This machine is designed for safe operation with enhanced access/egress and a variety of technologies to help keep everyone safe on the job.

Serviceability and Customer Support

We reduce downtime by making our machines easy to repair and maintain, helping reduce your overall owning and operating cost. Cat dealers know how to keep your machine productive.

Contents

Structures	4
Engine	6
Emissions Technology	6
Cooling System	7
Drive Train	8
Undercarriage	9
Operator Station	10
Technology Solutions	12
Cat MineStar System	13
Safety	14
Work Tools	16
Serviceability	17
Customer Support	17
Sustainability	18
Specifications	19
Standard Equipment	24
Optional Equipment	25





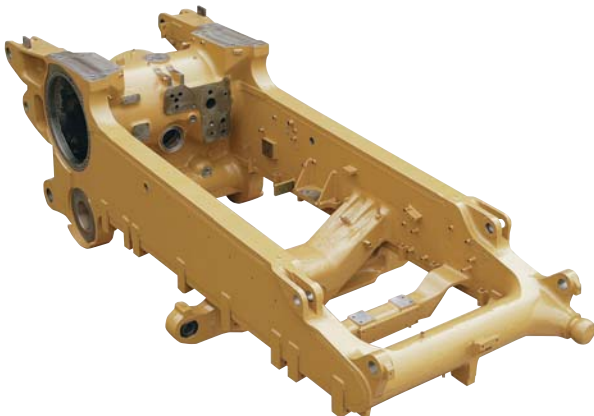
Cat Track-Type Tractors are designed with durability built in, ensuring maximum availability through multiple life cycles. By optimizing performance and simplifying serviceability with our modular design, our machines move more material efficiently and safely at a lower cost per ton.

The new models include safety enhancements, improved operator comfort, and productivity increasing electronic features to keep your business strong for generations to come.



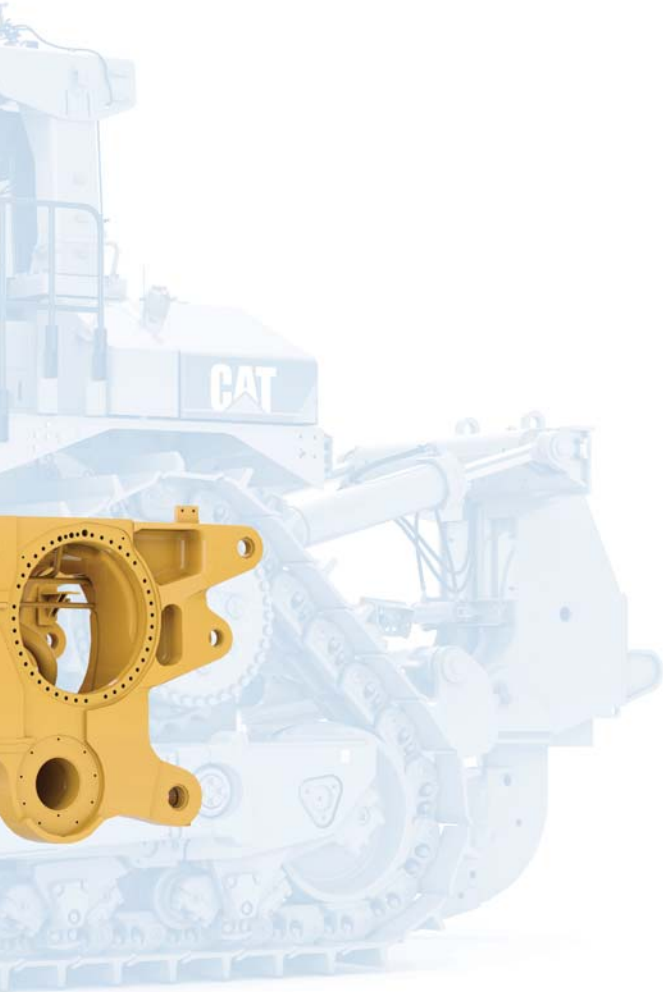
Structures

Engineered for maximum production and service life.



Carrydozer Frame

The Carrydozer frame is specifically designed to accept the additional frame loads generated by the unique Carrydozer blade design.



Mainframe Strength

We help reduce downtime by making our machines easy to repair and maintain. The D11T/D11T CD mainframes are built to absorb high impact shock loads and twisting forces during severe dozing and ripping applications. It is not uncommon to see these machines rebuilt several times using the same frame, with only minor welding.

- Frame rails have a full box section design which keeps components rigidly aligned.
- The main case, equalizer bar saddle, and front cross member are heavy duty steel castings incorporated into highly loaded areas of the mainframe to improve stress distribution for improved durability.
- Top and bottom rails are made from continuous rolled sections to eliminate welds and machining, which provide superior mainframe durability.
- The main case elevates the final drives well above the ground level work area to protect them from impact loads, abrasion and contaminants. The one-piece main case casting also serves as an oil reservoir.
- The pivot shaft and pinned equalizer bar maintain track roller frame alignment.
- Heavy cast saddle has a ribbed design which increases frame life.
- The common front engine and radiator mount feature heavy steel castings.



Tag-Link

The tag link is designed to increase blade penetration and pry-out force as well as increase machine maneuverability and balance. The closer the blade is kept to the machine, the easier it is for the operator to maneuver near obstacles. Keeping the blade closer to the machine also reduces the lever effect on machine balance, especially when working around high-walls, affording the operator increased confidence.

- A tag link replaces the diagonal bracing because dozer side loads are transferred directly into the specially reinforced mainframe instead of the dozer push arms.
- The Cat design with almost vertical motion of the lift cylinders allows maximum machine weight to be transferred to the blade's cutting edges. This extra force increases blade cutting edge penetration and improves blade loading.

Engine

Power and reliability to help you move more.

C32 with ACERT Technology

Designed to deliver the performance and maximum fuel efficiency you demand, the D11T/D11T CD features a Cat C32 ACERT engine. A U.S. EPA Tier 4 Final engine is available for sale in the United States and Canada.

- The C32 performs at full rated net power of 634 kW (850 hp) at 1,800 rpm with a high torque rise of 21 percent, allowing the D11T to doze through tough material.
- Matched to the high efficiency torque divider and electronically controlled power shift transmission, it will provide years of dependable service.

ADEM™ A4 Engine Controller

The ADEM A4 electronic control module manages fuel delivery and air flow to get the best performance per liter (gallon) of fuel used.

- Provides flexible fuel mapping, allowing the engine to respond quickly to varying application needs.

Air-to-Air Aftercooling

Air-to-air aftercooling on the D11T/D11T CD cools hot, compressed air coming out of the turbocharger providing cooler and denser air into the air intake system. Bringing more cool air into the engine increases power generation, lowers emissions, and improves fuel efficiency.

Service

Engine enclosures provide easy access to maintenance points within the engine compartment. Easier maintenance and repair is available through monitoring of key functions and logging of critical indicators.



Emissions Technology

Providing you reliable, integrated solutions.

You can continue to count on the C32 ACERT engine meeting U.S. EPA Tier 4 Final emission standards to work productively and economically in tough applications. It delivers the power and torque you need for optimal performance.

The U.S. EPA Tier 4 Final emission standards are met on the D11T/D11T CD in the United States and Canada using:

- Cat NO_x Reduction System – captures and cools a small quantity of exhaust gas, then routes it into the combustion chamber to drive down temperatures and reduces NO_x emissions.
- Diesel Oxidation Catalyst (DOC) – uses oxidation, a chemical process, to reduce regulated emissions.
- MEUI™-C Fuel System – developed from the field proven MEUI-A system while increasing fuel efficiency and further reducing NO_x generation.
- Ultra Low Sulfur Diesel (ULSD) Fuel and Low Ash Oil are required.

Cooling System

Superior cooling in the most demanding work conditions.

The hydraulic variable demand fan provides engine cooling capability that is matched to the ambient conditions. In cooler conditions, the fan turns at a slower speed, reducing power demands. This reduces fuel consumption in lower load factor operations. Low speed fan operation also reduces both the operator and spectator sound levels.



Aluminum Bar Plate Radiator

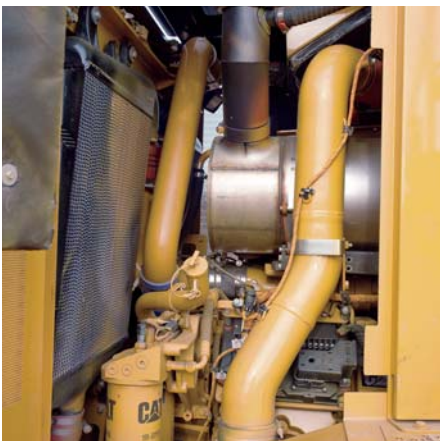
The cooling system uses a two-part radiator built with rugged, highly efficient aluminum bar plate cores. The aluminum bar plate construction aids durability and allows for higher heat transfer and superior corrosion resistance.

Hydraulic Air to Oil Cooler

The new air to hydraulic oil cooler reduces hydraulic oil temperatures thus improving component life. The core is built using the same rugged aluminum bar plate design as the jacket water cooler.

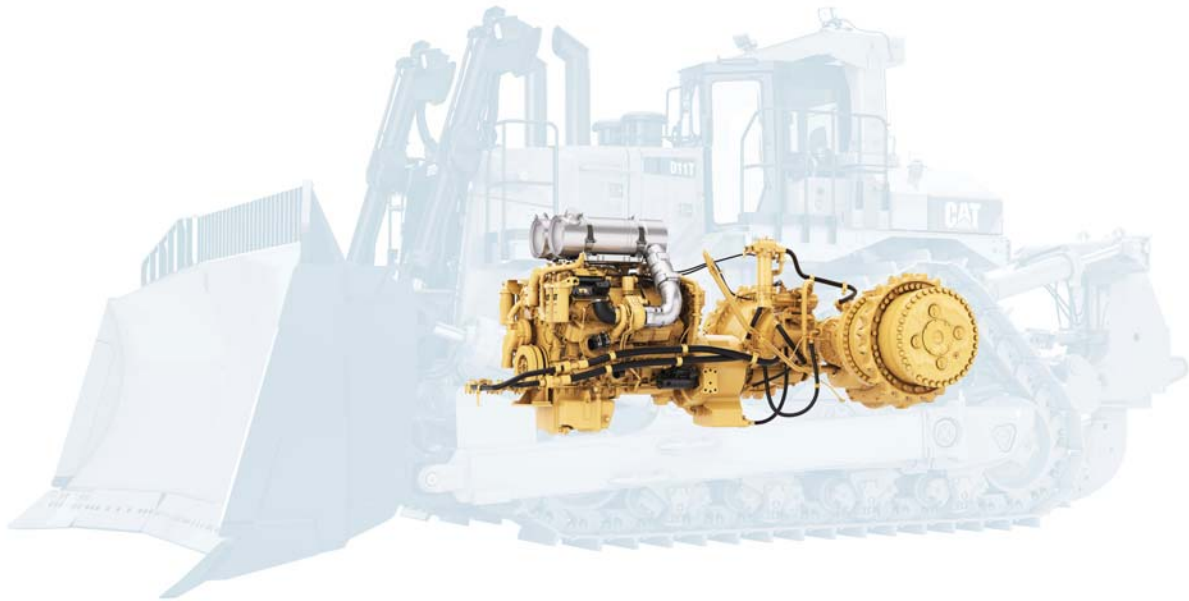
Attachments

- Reversible cooling fan
- Mesabi radiator



Drive Train

Power and control to efficiently move your material.



Torque Divider

The Cat D11T/D11T CD use a torque divider between the engine and the transmission to act as the hydrodynamic component, reducing the possibility of damage to the powertrain by dampening impact loads and vibrations.

- A single-stage torque converter with output torque divider sends 75 percent of engine torque through the converter and 25 percent through a direct drive shaft for greater driveline efficiency and higher torque multiplication.

Planetary Powershift Transmission

The Cat Planetary Powershift Transmission offers three speeds forward and three speeds reverse, utilizing large diameter, high-capacity, oil-cooled clutches.

- Modulation system permits fast speed and direction changes.
- Modular transmission and bevel gear slide into rear case for easy servicing, even with ripper installed.
- Oil-to-water cooler for maximum cooling capacity.
- Forced oil flow lubricates and cools clutch packs to provide maximum clutch life.
- Controlled throttle shifting regulates engine speed during directional shifts for smoother operation and longer component life.

Steering Clutch and Brake

Fade resistant and adjustment free. The multi-disc, oil cooled steering clutches are hydraulically applied and electronically controlled. The brakes are applied by springs and hydraulically released for safe and reliable braking performance.



Undercarriage

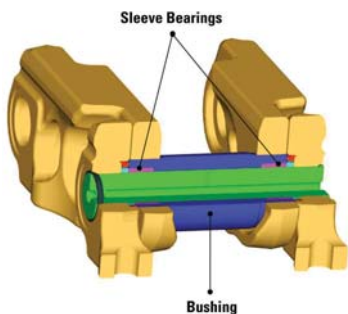
Designed for optimized machine balance and best performance.



The elevated sprocket and suspended undercarriage work together, increasing traction and giving the operator a smoother ride. These benefits translate into higher production and longer component life. This design transfers impact shock loads to the mainframe, so final drives, axles, and steering components are isolated from harsh impact loads commonly seen in large track-type tractor applications.



- Bogie suspension provides up to 15 percent more ground contact, especially in hard, uneven terrain. Higher traction means less slippage, better balance, and a smoother ride.
- Integrated carrier roller mount is fabricated into the track roller frame making it easy to add the optional carrier roller in the field.
- Rollers and idlers feature symmetric Duo-Cone™ seals for long sealing life to prevent oil loss and dirt entry.
- Roller frames are tubular to resist bending and twisting, with added reinforcement.
- Sleeve bearing track is a unique track link assembly that maximizes life and minimizes downtime. It is designed to operate at higher speeds and greater loads.
- Sprocket segments have four bolt-on replaceable rim segments of abrasion resistant tough steel for long wear life.
- Track shoes are available in a variety of sizes and styles to match working conditions.



Operator Station

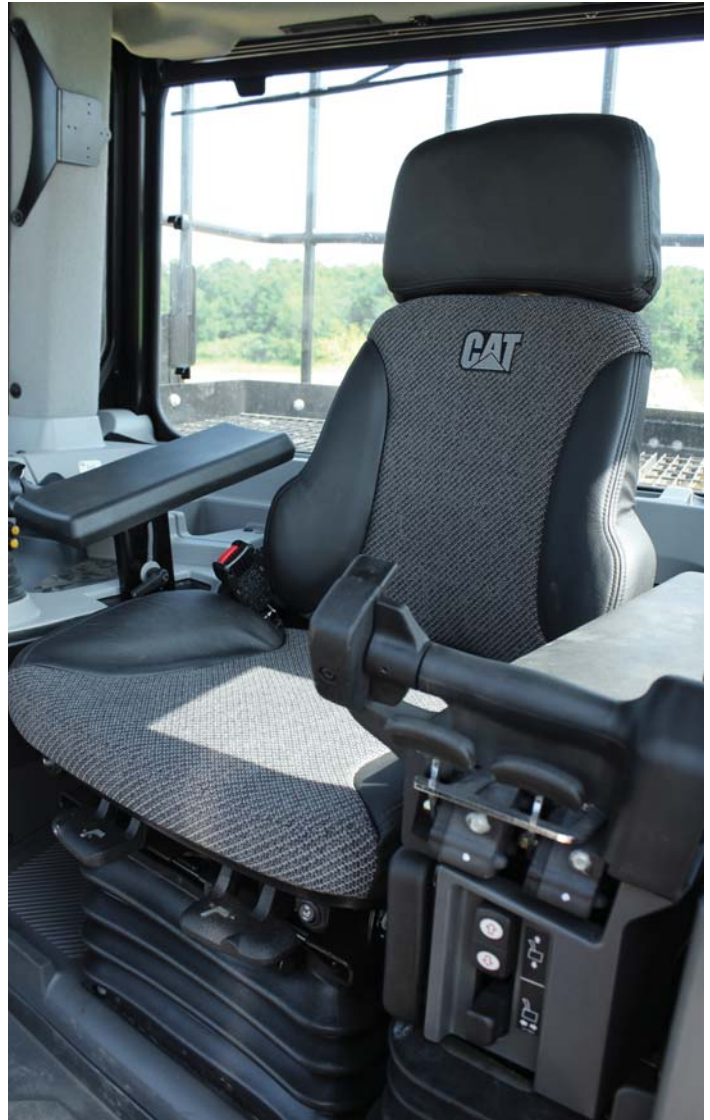
Designed for your comfort, convenience, and productivity.



The Finger Tip Controls (FTC) require less effort and are more comfortable for long periods of operation. Single-hand controls located on the left armrest coordinate steering using left and right finger paddles located ahead of the handgrip. The D11T/D11T CD uses electro-hydraulic clutch-brake steering.

Low effort and comfortable to grip, the electronic dozer joystick gives the operator control of all dozer functions with the right hand.

A rigidly mounted handgrip on the electronic ripper control provides firm support for the operator even when ripping in the roughest terrain. Low effort thumb lever controls raising and lowering.



The D11T/D11T CD cab is designed and equipped for operator productivity, safety, and comfort. Electro-hydraulic controls require low effort to control steering and implements. This helps to reduce operator fatigue and to improve productivity. The monitoring system display, with easy-to-read gauges, indicators and warning lamps, keeps the operator aware of machine conditions. All of these features provide the D11T and D11T CD an industry leading operator environment that provides high productivity, efficiency, and comfort.

- The operator station offers an exceptional viewing area. The tapered hood, notched fuel tank, and narrow ripper carriage give the operator a clear line of sight to front and rear work areas. The laminated glass door windows provide an excellent view to the blade end bits.
- The new automatic climate control system automatically adjusts the heating and air conditioning controls to maintain a consistent cab temperature throughout the day.
- The Cat Comfort Series Seat has a six way adjustment control for optimal support and comfort. Seat side bolsters restrain side-to-side movement, especially when working on steep grades or side slopes.
- The combination dash mounted instrument cluster and the right console mounted Advisor Monitoring System display key machine operating information and give operators and service technicians insight into the machine's operation and maintenance needs.
- Dimmable lights allow the operator to choose between night and day backlight settings, through Advisor, to adjust the brightness of all switches and the keypad in the cab.
- Slope and Side Slope Monitor is standard allowing operator to understand terrain better to improve dozing performance.

Additional features include:

- Entertainment radio ready and IPOD/MP3 player ready.
- Communications radio mounting.
- Power plug-in on the right side console (12-volt laptop and wireless phone compatible).
- Finishes that make the cab easy to clean.
- Optional heated and ventilated seat.



Technology Solutions

Greater productivity through integrated electronic systems.



The D11T electronic systems have been completely integrated to function as one machine. This integration creates a smart machine and more informed operator maximizing the productivity of both.

- **VIMS™ 3G** – This technology enables your equipment to provide detailed, up-to-the-minute data about its own health and working conditions by monitoring key temperatures, pressures, and more. The system gathers historical trends, histograms, events and more for off-board analysis. Additional subscription required.
- **Automated Blade Assist (ABA)** – ABA is a semi-automatic dozer control that makes use of preset blade pitch positions. This increases efficiency while reducing operator workload.
- **Enhanced Auto Shift (EAS)** – EAS improves fuel efficiency by automatically selecting the optimal reverse gear and engine speed combination based upon powertrain load and desired ground speed.
- **Autoshift Mode** – Autoshift mode enables the operator to preset a forward or reverse gear for directional changes. This feature boosts productivity and helps to reduce operator fatigue by automating the transmission setting to best match the job conditions.
- **Advisor Monitoring System (AMS)** – AMS is used to monitor and display operating characteristics, diagnostics and events, system operational totals, and modes of operation. It is also used to view and change operator preferences and parameters. AMS benefits both the operator and service technician to improve productivity and lower operating costs.
- **Autocarry (optional)** – Autocarry provides automatic blade control during the carry segment of the dozing cycle by measuring ground speed and track slip with a robust Global Navigation Satellite System (GNSS) cab mounted receiver. Blade position is changed automatically to keep slip at optimum level for best performance. It is intended to enhance the operator's productivity in high production earthmoving with carry distances over 30.5 m (100 ft).
- **Automatic Ripper Control (optional)** – Automatic ripper control is a new feature that helps to reduce operator fatigue and decreases wear and tear on the machine. This is done by monitoring the tractor speed with the new cab mounted GNSS to automatically adjust engine speed and ripper depth to minimize track slip.
- **Cat Product Link™ (optional)** – Cat Product Link allows remote monitoring of equipment to improve overall fleet-management effectiveness. Product Link licensing not available in all areas. Please consult your Cat dealer for availability.

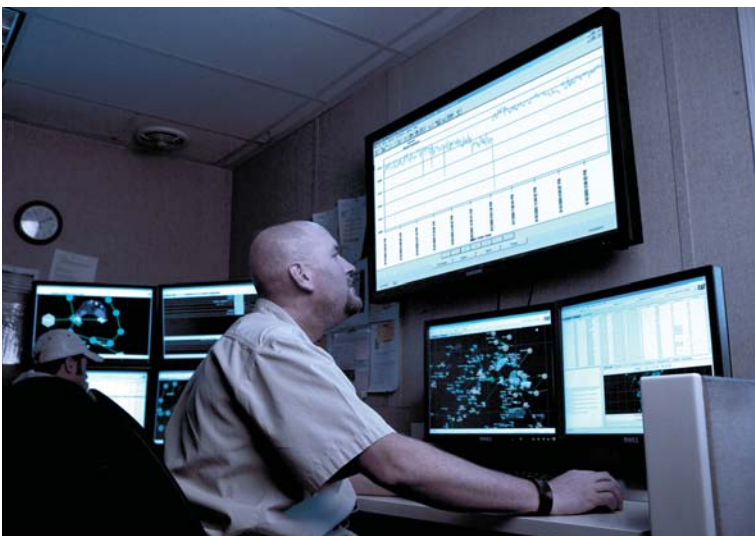
Cat[®] MineStar[™] System

Configurable to suit your operation's needs.



The Cat MineStar[™] System is the industry's broadest suite of integrated mine operations and mobile equipment management technologies. Its capability sets – Fleet, Terrain, Health and Command – contain a range of technologies that let you manage everything from fleet assignment and condition monitoring to remote and autonomous control.

- **Terrain for Grading (optional)** – Terrain for grading provides high precision management of dozing and grading applications for enhanced safety, productivity and efficiency. The system enables an electronic site plan to be sent to the machine from the office in real-time, directing the operator where to cut and fill. A graphical map of the design plan and a view of the machine's horizontal and vertical position simplify operation and enhance production.
- **Command for Dozing (optional)** – Command for dozing allows the operator to control the machine using a portable over-the-shoulder operator console. The system is appropriate for use in particularly hazardous operating environments where it would enable the operator to remove himself from the machine.
- **Health (optional)** – Health delivers critical event-based machine condition and operating data for your entire fleet. It includes comprehensive equipment health and asset monitoring capabilities, with a wide range of diagnostic, analytic and reporting tools.
- **Fleet (optional)** – Fleet provides comprehensive, real-time machine tracking, assignment and productivity management, giving you a comprehensive overview of all operations from anywhere in the world.





Safety

Focused on keeping you safe.



Powered Access System (optional)

The Cat powered access system provides excellent access and egress to and from the cab on the D11T/D11T CD, allowing easy access where wet or freezing material would make entry/exit via the tracks more challenging.

- Operates off of powertrain hydraulic system.
- Deploy and/or store in seconds.
- Warning sounds if parking brake is released with ladder down or if the blade is raised with the ladder down.

Rear Platform and Guard Rails (optional)

The platform provides access to the rear window for cleaning and repairing rear mounted lights. The walkway is designed in sections to allow for varying lengths of platform across the back of the tractor.

- Converts top of 1912 L (505 gal) fuel tank into access platform.
- Slip-resistant surfaces, handrails, and kick plates.

People are the backbone of your business, and keeping them safe and productive is the number one priority. This machine is designed for safe operation with enhanced access/egress, and a variety of technologies to help keep the operator and others safe on the job.

Operator Presence Detection

This new feature locks out the powertrain and hydraulics to avoid unintentional movement when the operator is mounting and dismounting the machine.

Heavy Duty Steps and Handles

Strategically placed grab handles plus non-slip steps and decking aid operator getting on and off the machine.

Fender Guard Rails

Standard heavy duty guard rails are strategically placed to safeguard the operator outside of the cab.

Spectator Sound Reduction

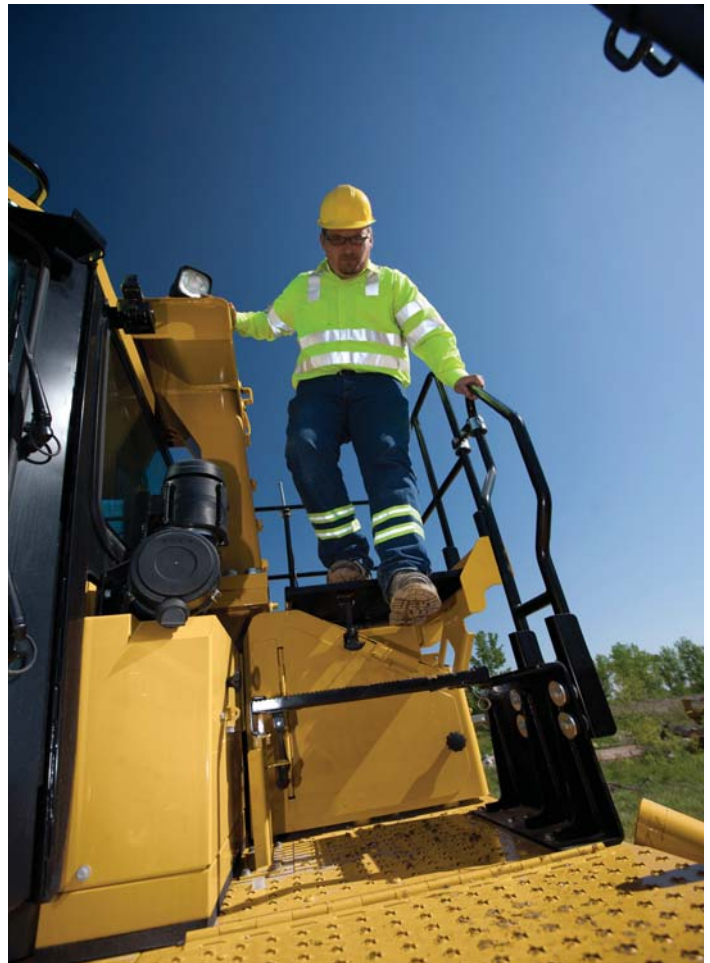
The D11T offers three options to control operator and spectator sound levels. Options include:

- Sound reducing idlers and sprocket segments.
- Full set of sealed bottom guards.
- Solid engine compartment enclosures and insulation.

When all three options are ordered, the D11T sound suppression package can deliver a 6 dB(A) (ISO 6395) reduction in the average spectator sound power level and a 4 dB(A) (ISO 6396) reduction in the average operator sound pressure level.

Visibility Packages (optional)

The D11T offers multiple visibility packages that enhance the operator's visibility of their surroundings and provides a broad view of the work area. The packages include a WAVS camera system and mirrors inside and outside the cab.



Work Tools

Provide flexibility to match the machine to your job.

Bulldozers

All blades feature a strong box-section design that resists twisting and cracking. Blades are made of high tensile strength steel that stands up to the most severe applications. Heavy moldboard construction and hardened bolt-on cutting edges and end bits add strength and durability.

- High-Capacity Universal Blade – Maximizes capacity for moving big loads over long distances.
- Semi-Universal Blade – Built for tough applications where penetration is important.
- Dual Tilt – Allows the operator to optimize the blade pitch angle.
- Cutting Edges and End Bits – Cutting edges are made of DH-2™ steel. End bits are made of DH-3™ steel for maximum service life.
- Specialty blades, (coal blades and reclamation blades) are available from Cat Work Tools for applications requiring higher capacity blades for light materials.

Rippers

The D11T and D11T CD have optional single and multi-shank rippers available. Rippers are made to penetrate tough material fast and rip thoroughly for use in a variety of materials. The standard ripper hydraulic lines are Cat XT™ ES hose for durability and reliability.

- **Single-Shank Ripper** – Operator can adjust the shank depth from the seat using a single-shank pin puller. Large one-piece shank is available in deep ripping configuration.
- **Multi-Shank Ripper** – Tailors the tractor to the material by using one, two or three shanks.

Rear Counterweights

Rear counterweights provide proper tractor balance to maximize dozing production. It is recommended if not equipped with any other rear attachment.



Serviceability

Reduce your service time to increase up time.

The modular design of the D11T provides excellent serviceability and turnaround time. A key advantage of the D11T's modular design is the ability to swap out a component with a pre-tested rebuilt or remanufactured unit that puts the machine back to work faster. So, reliability and overall uptime is high, repairs and upkeep costs are low. Modular design translates into more time on the job for the D11T compared to competition.

Ground Level Service Options

The ground level service center mounted on the ripper cylinder provides easy access to:

- Secondary engine shutoff
- Access lighting switch turns on the forward ROPS lights to light the access path to the machine. The lights will stay on until you start the tractor or when a configurable timer expires (10 minute default).
- Delayed lighting turns on the forward ROPS lights to light the path when getting off the machine.
- Fast fuel
- High speed oil change (optional)



Ok-to-Start

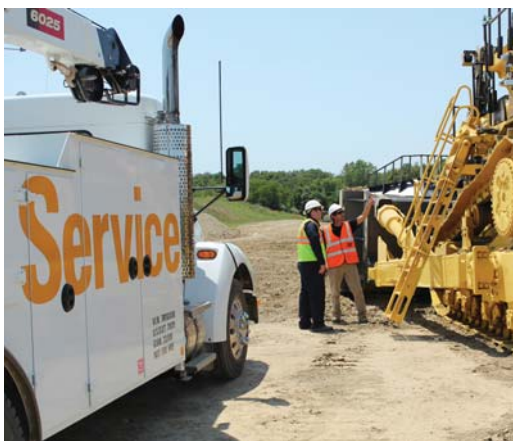
The new Ok-to-Start strategy provides electronic fluid level verification at startup on the powertrain and engine oil systems. All information is available via the Advisor Monitoring System within the cab.

Fast Fuel System

The fast fuel system, with positive fuel shut-off to prevent fuel spillage, can reduce fuel waste and decrease downtime.

Customer Support

Your Cat dealer knows how to keep your mining machines moving.



Legendary Cat Dealer Support

From helping you choose the right machine to knowledgeable ongoing support, Cat dealers provide you with unmatched sales and service.

- Preventive maintenance programs and guaranteed maintenance contracts.
- Best-in-class parts availability.
- Operator training to help boost your profits.
- Genuine Cat Remanufactured parts.

Sustainability

Thinking about your next generation.



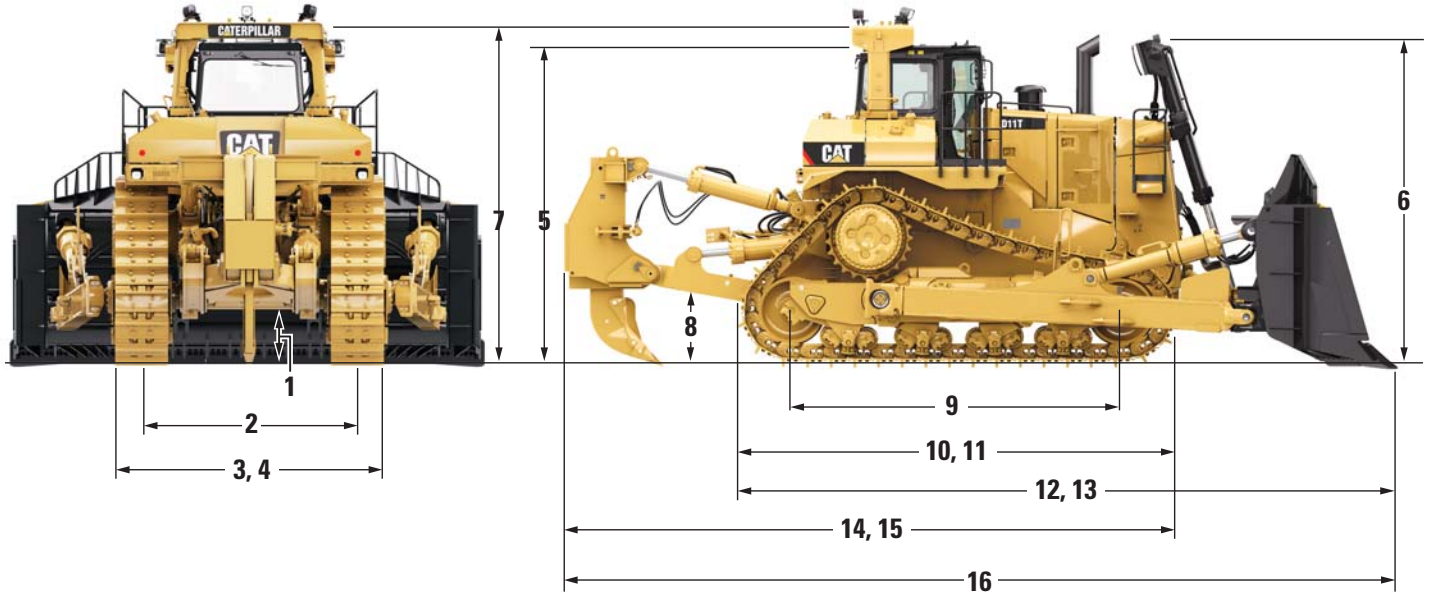
Sustainable Development for Caterpillar means leveraging technology and innovation to increase efficiency and productivity with less impact on the environment and helping you do the same – enabling your business to become more productive by providing products, services and solutions that use resources more efficiently.

- We are making our track-type tractors as quiet as possible so they have less impact on the communities where they operate. The D11T offers an optional sound suppression package that delivers up to a 6 dB(A) (ISO 6395) reduction in the average spectator sound power level and up to a 4 dB(A) (ISO 6396) reduction in the average operator sound pressure level.
- Ecology drains allow fluids to be easily captured for recycling or proper disposal.
- Major components of Cat Track-Type Tractors are designed to be rebuilt. The Cat Certified Rebuild program conserves energy and materials by delivering a cost effective second and even third life for our machines.
- Fuel saving features like Enhanced Auto Shift help decrease overall fuel consumption. Decreased fuel consumption results in reduced greenhouse gases.

D11T/D11T CD Track-Type Tractor Specifications

Dimensions

All dimensions are approximate.



	D11T		D11T CD	
	mm	in	mm	in
1 Ground Clearance	675	26.6	675	26.6
2 Track Gauge	2896	114.0	2896	114.0
3 Width without Trunnions (Standard Shoe)	3782	148.9	3806	149.8
4 Width over Trunnions	4379	172.4	4379	172.4
5 Height (FOPS Cab)	4394	173.0	4394	173.0
6 Height (Top of Stack)	4490	176.8	4490	176.8
7 Height (ROPS/Canopy)	4698	185.0	4698	185.0
8 Drawbar Height (Center of Clevis)	932	36.7	932	36.7
9 Length of Track on Ground	4444	175.0	4444	175.0
10 Overall Length Basic Tractor	6160	242.5	6160	242.5
11 Length Basic Tractor with Drawbar	6160	242.5	6160	242.5
12 Length with SU-Blade*	8579	337.8	8765	345.1
13 Length with U-Blade	8641	340.2	—	—
14 Length with Single-Shank Ripper	8107	319.2	8107	319.2
15 Length with Multi-Shank Ripper	8427	331.8	8427	331.8
16 Overall Length SU-Blade and SS Ripper*	10 525	414.4	10 712	421.7

* CD Blade on D11T CD.

Note: D11T shown equipped with 710 mm (28 in) shoes.

D11T/D11T CD Track-Type Tractor Specifications

Engine – Tier 2 Equivalent

Engine Model	Cat C32 ACERT	
Net Power		
SAE J1349/ISO 9249 Min Fan	669 kW	897 hp
SAE J1349/ISO 9249	634 kW	850 hp
EU 80/1269	634 kW	850 hp
Gross Power		
SAE J1995	695 kW	932 hp
ISO 14396	692 kW	928 hp
Bore	145 mm	5.7 in
Stroke	162 mm	6.4 in
Displacement	32.1 L	1,959 in ³

Engine – U.S. EPA Tier 4 Final

Engine Model	Cat C32 ACERT	
Net Power		
SAE J1349/ISO 9249 Min Fan	663 kW	889 hp
SAE J1349/ISO 9249	634 kW	850 hp
EU 80/1269	634 kW	850 hp
Gross Power		
SAE J1995	681 kW	913 hp
ISO 14396	677 kW	908 hp
Bore	145 mm	5.7 in
Stroke	162 mm	6.4 in
Displacement	32.1 L	1,959 in ³

- Engine ratings apply at 1,800 rpm.
- Net power advertised is the power available at the flywheel when the engine is equipped with fan at max speed (unless otherwise noted), air cleaner, muffler, alternator, and engine emissions controls as required.
- No derating required up to 3658 m (12,000 ft) altitude. High altitude attachment available for greater than 3658 m (12,000 ft).

Weights

Operating Weight	104 257 kg	229,848 lb
Shipping Weight	37 485 kg	82,640 lb
Operating Weight – CD	112 698 kg	248,456 lb
Shipping Weight – CD	37 802 kg	83,340 lb

- D11T Operating Weight: Includes blade tilt cylinders, coolant, lubricants, full fuel tank, ROPS, FOPS cab, 11U ABR bulldozer, single-shank ripper with pin-puller, fast fuel, 710 mm (28 in) ES shoes, and operator.
- D11T Shipping Weight: Base machine chassis with cab and pivot shaft. Doesn't include ROPS, ripper, blade, track, or roller frames.
- D11T CD Operating Weight: Includes lubricant, coolant, full fuel tank, 915 mm (36 in) extreme service shoes, 11 Carrydozer, single-shank ripper, and operator.
- D11T CD Shipping Weight: Base machine chassis with cab and pivot shaft. Doesn't include ROPS, ripper, blade, track, or roller frames.

Transmission

1 Forward	3.9 km/h	2.4 mph
2 Forward	6.8 km/h	4.2 mph
3 Forward	11.8 km/h	7.3 mph
1 Reverse	4.7 km/h	2.9 mph
2 Reverse	8.2 km/h	5.1 mph
3 Reverse	14 km/h	8.7 mph
Type	Planetary powershift	
Transmission Clutch Diameter	533 mm	21 in

Hydraulic Controls

D11T		
Pump Type	Gear-type pump	
Combined Pump Output (Implement)	620 L/min	164 gal/min
Tilt Pump Flow	155 L/min	41 gal/min
Bulldozer Relief Valve Setting	22 750 kPa	3,300 psi
Tilt Cylinder Relief Valve Setting	24 300 kPa	3,525 psi
Ripper (Lift) Relief Valve Setting	22 750 kPa	3,300 psi
Ripper (Pitch) Relief Valve Setting	22 750 kPa	3,300 psi

D11T CD		
Pump Type – CD	Gear-type pump	
Pump Output (Implement) – CD	670 L/min	177 gal/min
Tilt Cylinder Flow – CD	250 L/min	66 gal/min
Carrydozer Relief Valve Setting	24 135 kPa	3,500 psi
Tilt Cylinder Relief Valve Setting – CD	24 825 kPa	3,600 psi
Ripper (Lift) Relief Valve Setting – CD	24 135 kPa	3,500 psi
Ripper (Pitch) Relief Valve Setting – CD	24 135 kPa	3,500 psi

- Pump output measured at 1,800 engine rpm and 6895 kPa (1,000 psi).
- Electro-hydraulic pilot valves assist operations of ripper and dozer controls.
- Complete system consists of pump, tank with filter, oil cooler, valves, lines, and control levers.

Undercarriage

Shoe Type	Extreme Service	
Width of Shoe	710 mm	28 in
Width of Shoe – CD	915 mm	36 in
Shoes/Side	41	
Grouser Height	102 mm	4 in
Pitch	318 mm	12.5 in
Ground Clearance	675 mm	26.6 in
Track Gauge	2896 mm	114 in
Length of Track on Ground	4444 mm	175 in
Ground Contact Area	6.3 m ²	9,765 in ²
Ground Contact Area – CD	8.1 m ²	12,605 in ²
Track Rollers/Side	8	
Number of Carrier Rollers	1 per side (optional)	

- Sleeve Bearing Track with Positive Pin Retention.

Service Refill Capacities

Fuel Tank	1609 L	425 gal
Fuel Tank – high capacity	1911 L	505 gal
Cooling System	269 L	71.1 gal
Engine Crankcase*	103 L	27.2 gal
Powertrain	344 L	90.9 gal
Final Drives (each)	47 L	12.4 gal
Roller Frames (each)	94 L	24.8 gal
Pivot Shaft Compartment	71 L	18.8 gal
Implement Hydraulic System Tank Only	223 L	58.9 gal

* With oil filters.

Track Roller Frame

Oscillation	351 mm	13.8 in
-------------	--------	---------

Steering and Brakes

Hydraulically applied multiple-disc Steering Clutch	440 mm	17.3 in
Spring applied multiple-disc Brake	612 mm	24.1 in

Standards

ROPS/FOPS

- Rollover Protective Structure (ROPS) meets the following criteria: SAE J1040 MAY94, ISO 3471-1:1994.
- Falling Objects Protective Structure (FOPS) meets the following criteria: ISO 3449:1992 LEVEL II.

Sound

- The operator Equivalent Sound Pressure Level (Leq) is 79 dB(A) when ISO 6396:2008 is used to measure the value for an enclosed cab. This is a dynamic cycle sound exposure level. The cab was properly installed and maintained. The test was conducted with the cab doors and the cab windows closed.
- The exterior sound pressure level for the standard machine measured at a distance of 15 m (49.2 ft) according to the test procedures specified in SAE J88 APR95, mid-gear-moving operation, is 87 dB(A).

D11T/D11T CD Track-Type Tractor Specifications

D11T Bulldozer

Tag link dozer coupling brings blade closer for better balance and control.

Blade		11SU ABR	11U ABR	11CD
Blade capacity (SAE J1265)	m ³	27.2	34.4	43.6
	yd ³	35.6	45.0	57.0
Width with blade (over end bits)	mm	5580	6335	6706
	in	219.7	249.4	264.0
Blade height	mm	2753	2828	2955
	in	108.4	111.3	116.3
Digging depth				
Rack back	mm	—	—	688
	in	—	—	27.1
Nominal	mm	766	766	—
	in	30.2	30.2	—
Full dump	mm	—	—	1708
	in	—	—	67.2
Ground clearance				
Rack back	mm	—	—	1846
	in	—	—	72.7
Nominal	mm	1533	1533	—
	in	60.4	60.4	—
Full dump	mm	—	—	307
	in	—	—	12.1
Maximum tilt	mm	1184	1344	1800
	in	46.6	52.9	70.9
Weight*	kg	16 192	18 823	24 085
	lb	35,698	41,498	53,099
Total operating weight** (with blade and single-shank ripper)	kg	101 626	104 257	112 698
	lb	224,047	229,848	248,456

* Does not include hydraulic controls but includes blade cylinders.

** D11T includes blade and single-shank ripper, hydraulic controls, blade cylinders, coolant, lubricants, full fuel tank, 810 mm (32 in) shoes, ROPS, FOPS cab, and operator. D11T CD includes blade and single-shank ripper, hydraulic controls, blade cylinders, coolant, lubricants, full fuel tank, 915 mm (36 in) shoes, ROPS, FOPS cab, and operator.

Ripper

Redesigned ripper frame for improved visibility to ripper tip. Hydraulic tip adjustment cylinders vary shank angle to aid penetration and help lift and shatter rock.

		D11T			D11T/D11T CD	D11T CD
		Single-shank	Single-shank Deep Ripping Arrangement	+ Multi-shank Arrangement	Single-shank	+ Multi-shank Arrangement
Overall beam width	mm	—	—	3330	—	3330
	in	—	—	131.1	—	131.1
Maximum penetration force* (shank vertical)	kN	288	292	277	326	306
	lb	64,745	65,644	62,272	73,288	68,792
Maximum penetration (standard tip)	mm	1612	2172	1070	1612	1070
	in	63.5	85.5	42.1	63.5	42.1
Pryout force (multi-shank ripper with one tooth)	kN	660	657	646	642	650
	lb	148,374	147,700	145,227	144,327	146,126
Maximum clearance raised (under tip, pinned in bottom hole)	mm	1115	878	1137	1115	1137
	in	43.9	34.6	44.8	43.9	44.8
Number of shank holes		4	3	2	4	2
Weight (without hydraulic controls)	kg	9643	10 022	9698	12 733	12 025
	lb	21,259	22,095	21,380	28,071	26,511
with 11U ABR blade and ripper					with 11CD blade and ripper	
Total operating weight**	kg	104 257	104 636	104 312	112 698	111 990
	lb	229,848	230,684	229,969	248,456	246,896

* Specifications are converted from British to metric measure and rounded.

** D11T includes blade and single-shank ripper, hydraulic controls, blade cylinders, coolant, lubricants, full fuel tank, 810 mm (32 in) shoes, ROPS, FOPS cab, and operator. D11T CD includes blade and single-shank ripper, hydraulic controls, blade cylinders, coolant, lubricants, full fuel tank, 915 mm (36 in) shoes, ROPS, FOPS cab, and operator.

+ Includes one shank. Add 671 kg (1,479 lb) for each additional shank.

Note: Single-shank, deep ripping arrangement weight includes required pin puller.

D11T/D11T CD Standard Equipment

Standard Equipment

Standard equipment may vary. Consult your Cat dealer for details.

ELECTRICAL

- Alternator, 150 amp
- Back up alarm
- Batteries, 12-volt (4), 200 amp-hour
- Converters, 12-volt, 30 total amp
- Diagnostic connector
- Horn, forward warning
- Lights, engine compartment
- Lighting system, 5 HID/6 Halogen
- Starting receptacle

OPERATOR ENVIRONMENT

- Advisor-electronic monitoring system
- Air conditioner and heater
- Armrest, adjustable
- Cab, FOPS
- Deactivation switch, hydraulic controls
- Decelerator, pedal
- Finger Tip Control (FTC) steering
- Governor switch, electronic
- Hydraulic system
 - Electronically controlled for bulldozer and ripper control
- Mirror, rearview
- Radio ready, entertainment
- ROPS rollbar
- Seat belt, retractable 76 mm (3 in)
- Wipers, intermittent, low and high speeds

POWERTRAIN

- C32 with ACERT Technology
 - 24-volt electric start
- Aftercoolers, air-to-air
- Air filters, dual with precleaner
- Aluminum Bar Plate Cooling System
- Controlled throttle shifting
- Coolant, extended life
- Directional shift management
- Engine Idle Shutdown Timer
- Ether starting aid, automatic
- Four planet, double-reduction planetary final drives
- Fuel priming pump, electric
- Mufflers, dual
- Parking brake, electronic
- Prescreener
- Separator, water/fuel
- Thermal shields
- Torque divider
- Transmission, powershift
 - (3F/3R speeds)

TECHNOLOGY

- Auto blade assist
- Enhanced auto shift
- VIMS 3G

UNDERCARRIAGE

- Rollers and idlers, lifetime lubricated
- Sprocket rim segments, replaceable
- Suspension-type undercarriage, eight-roller tubular track roller frame
- Three bolt idler and roller caps
- Track adjusters, hydraulic
- Track guides
- Two-piece master links

SAFETY AND SECURITY

- Fender guard rails
- Heavy duty steps and handles
- Operator presence detection
- Slope and side-slope monitor

OTHER STANDARD EQUIPMENT

- CD ROM parts book
- Dual-tilt blade control
- Ecology drains
- Fluid sampling ports
- Grade control ready
- Ground level service center
- Ripper Hydraulics
- Vandalism, protection (8 caplocks)

Optional Equipment

Optional equipment may vary. Consult your Cat dealer for details.

GUARDS

- Bottom guards
- Engine enclosure

OPERATOR STATION

- Cab glass:
 - 276 kPa (40 psi) with precleaner
 - Dual pane impact resistant
- Heated and ventilated seat
- LED lights
- Operator arrangement (improves comfort for smaller operators)
- Visibility arrangements (camera and mirrors)

POWERTRAIN

- Engine coolant, arctic
- Engine precleaner
- Engine prelube
- Fan arrangements:
 - Hydraulic screens
 - Reversing*
 - Reversing with screens*
- High altitude arrangement*
- Mesabi radiator
- Remote powertrain and hydraulic high speed oil change system located at the ground level service center

UNDERCARRIAGE

- Carrier rollers
- Tracks, sleeve bearing, sealed and lubricated
 - 710 mm (28 in) PPR extreme service*
 - 810 mm (32 in) PPR extreme service
 - 915 mm (36 in) PPR extreme service
- Undercarriage arrangements
 - Abrasion – sound reduction
 - Cold weather

BULLDOZER ATTACHMENTS

- 11CD Abrasion resistant blade
- 11CD No wear plate
- 11SU Abrasion resistant blade*
- 11SU No wear plate*
- 11U Abrasion resistant blade*
- 11U No wear plate*
- Black paint

RIPPER ATTACHMENTS

- Autolube
- Counterweight, rear
- Drawbar, rear*
- Multi shank:
 - Carrydozer
 - Deep*
 - Standard*
- Ripper lube
- Single shank:
 - Carrydozer/heavy
 - Push block*
 - Standard*

TECHNOLOGY

- Autocarry
- Automatic Ripper Control
- Command for Dozing**
- Product Link
- Terrain for Grading

SAFETY AND SECURITY

- Powered access ladder
- Rear access platform

OTHER ATTACHMENTS

- Grease points
- Heater, engine coolant
- Heater, fuel
- High capacity fuel tank
- Hydraulic pump screens

*Not available on D11T Carrydozer.

**Installed by dealer.

For more complete information on Cat products, dealer services, and industry solutions, visit us on the web at www.cat.com

© 2013 Caterpillar Inc.
All rights reserved

Materials and specifications are subject to change without notice. Featured machines in photos may include additional equipment. See your Cat dealer for available options.

CAT, CATERPILLAR, SAFETY.CAT.COM, their respective logos, "Caterpillar Yellow" and the "Power Edge" trade dress, as well as corporate and product identity used herein, are trademarks of Caterpillar and may not be used without permission.

AEHQ6785-02 (02-2013)
Replaces AEHQ6785-01

