

Dynapac CC1300C

Combi rollers

Atlas Copco



Technical data



Masses

Max. operating mass	3,900 kg
Operating mass (incl. ROPS)	3,750 kg
Module mass (front/rear)	1,930/1,820 kg



Traction

Speed range (Dual/TC/AS)	0-10 km/h
Theor. gradeability	37 %



Compaction

Wheel load	455 (kg/wheel)
Tyre type (smooth)	7.50-16
Centrifugal force	33 kN
Nominal amplitude	0.5 mm
Static linear load	14.8 kg/cm
Vibration frequency	52 Hz
Water tank	200 l
Emulsion tank	40 l



Engine

Manufacturer/Model	Kubota V2203-M (T4i)
Type	Water cooled
Rated power, SAE J1995	34 kW (45 hp) @ 2,600 rpm
Fuel tank capacity	50 l



Hydraulic system

Driving	Axial piston pump with variable displacement. Radial piston motors (3) with constant displacement.
Vibration	Gear pump/motors with constant displacement.
Steering	Gear pump with constant displacement.
Service brake	Hydrostatic in forward and reverse lever.
Parking/ Emergency brake	Failsafe multidisc on drum and wheel motors.

Find us locally at www.atlascopco.com

We reserve the right to change specifications without notice. Photos and illustrations do not always show standard versions of machines. The above information is a general description only, all informations are supplied without liability.

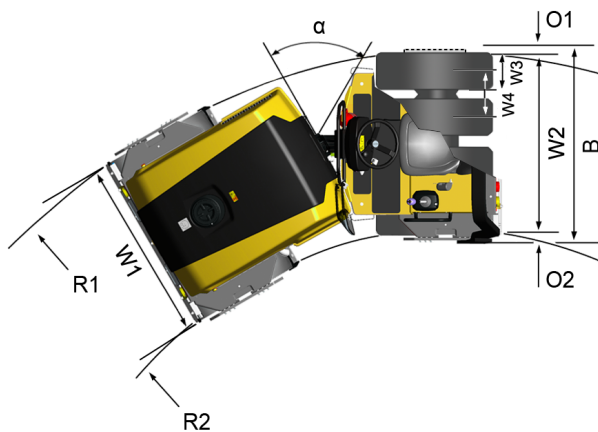
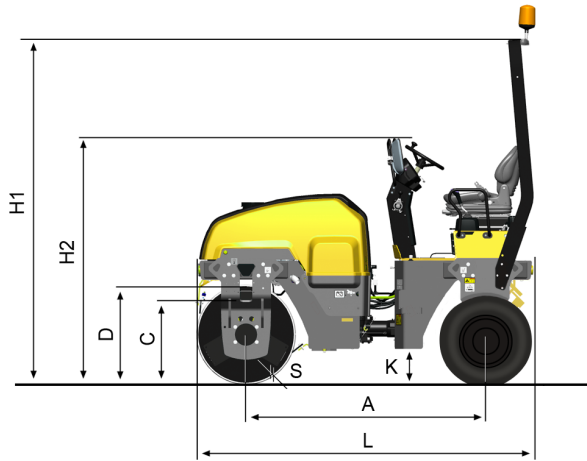
rce_1300c_en-20140324.094917.pdf 2014-03-24 09:49

Dynapac CC1300C

Combi rollers

Atlas Copco

Technical data



Dimensions	
A. Wheelbase	1,925 mm
C. Curb clearance	600 mm
D. Drum diameter	802 mm
H1. Height, with ROPS	2,750 mm
H2. Height, w/o ROPS/cab	1,855 mm
K. Ground clearance	260 mm
L. Length	2,725 mm
O1. Overhang, right	50 mm
O2. Overhang, left	50 mm
R1. Turning radius, outside	4,240 mm
R2. Turning radius, inside	2,940 mm
S. Drum shell thickness	16 mm
W1. Drum width	1,300 mm
W2. Width, wheel module	1,280 mm
W3. Width, tyre	220 mm
W4. Wheel track	130 mm
α . Steering angle	$\pm 30^\circ$



Standard equipment

Backup alarm, Working lights



Optional equipment

3" seatbelt, Biodegradable hydraulic fluid, Cert. Fire protection (SBF 127), Decal risk location (GOST), Fire extinguisher, Foot rest Hearing protectors, Licence plate light, Rear view mirror (traffic view), Service kit 50/500/1000H, Side direction lights (driving lights required), Slow moving vehicle sign, Special color (one or two), Tool set, Towing eyelet, Water tank cover (lockable)

Find us locally at www.atlascopco.com

We reserve the right to change specifications without notice. Photos and illustrations do not always show standard versions of machines. The above information is a general description only, all informations are supplied without liability.

rce_1300c_en-20140324.094917.pdf 2014-03-24 09:49