

# Dynapac CA1300PD

## Single drum vibratory rollers

Atlas Copco



### Technical data



#### Masses

Operating mass (incl. ROPS)	4,750 kg
Module mass (front/rear)	2,000/2,750 kg
Max. operating mass	5,200 kg



#### Traction

Speed range (Dual/TC/AS)	0 -6 km/h
Tyre size (8 ply)	12.5-20
Theor. gradeability	52 %
Vertical oscillation	±9
Number of pads	72
Pad area	53 cm <sup>2</sup>



#### Compaction

Nominal amplitude	1.5 mm
Vibration frequency	35 Hz
Centrifugal force	89 kN



#### Engine

Manufacturer/Model	Kubota V 3307 CR-TE4 (Stage IIIB/Tier4)
Type	Water cooled turbo Diesel
Rated power, SAE J1995	55 kW (75 hp ) @ 2,200 rpm
Fuel tank capacity	117 l



#### Hydraulic system

Driving	Axial piston pump with variable displacement. Axial piston motor with constant displacement. Axial piston motor with constant displacement.
Vibration	Gear pump/motor with constant displacement.
Steering	Gear pump with constant displacement.
Service brake	Hydrostatic in forward and reverse lever.
Parking/ Emergency brake	Failsafe multidisc brake in rear axle and front drum motor.

Find us locally at [www.atlascopco.com](http://www.atlascopco.com)

We reserve the right to change specifications without notice. Photos and illustrations do not always show standard versions of machines. The above information is a general description only, all informations are supplied without liability.

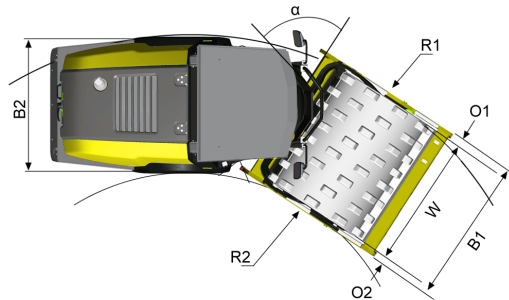
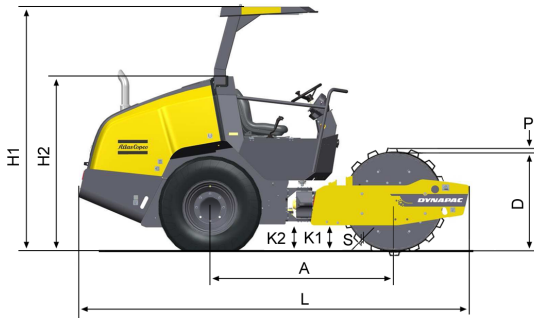
rce\_ca1300pd\_en-20141209.164521.pdf 2014-12-09 16:45

# Dynapac CA1300PD

## Single drum vibratory rollers

Atlas Copco

### Technical data



Dimensions	
A. Wheelbase	1,860 mm
B1. Width, front	1,495 mm
B2. Width, rear	1,400 mm
D. Drum diameter	1,000 mm
K1. Ground clearance	260 mm
K2. Curb clearance	260 mm
L. Length	3,950 mm
O1. Overhang, right	62 mm
O2. Overhang, left	62 mm
R1. Turning radius, outside	3,900 mm
R2. Turning radius, inside	2,460 mm
S. Drum shell thickness	22 mm
W. Drum width	1,370 mm
α. Steering angle	±33°

Find us locally at [www.atlascopco.com](http://www.atlascopco.com)

We reserve the right to change specifications without notice. Photos and illustrations do not always show standard versions of machines. The above information is a general description only, all informations are supplied without liability.

rce\_ca1300pd\_en-20141209.164521.pdf 2014-12-09 16:45